

Shanghai Jingying Electronic Co.,LTD. - MHz Quartz Crystal Resonator / HC-49SMD

上海晶英电子有限公司 - MHz 石英晶体谐振器 / HC-49SMD

HC-49S Metal SMD Crystal

HC-49S SMD型石英晶体

Frequency Range 频率范围

3.01MHz ~ 100MHz

Features 特点

- Low cost and high stability 低成本，高稳定性
- Excellent in shock proof 抗震性强
- SMD designed, selective height 贴片设计，高度可选
- Rohs compliant 环保产品和标准合规



Standard Specification & Note

标准参数 & 注意事项

Holder Type 封装形式	MM	HC-49SMD (selective height: 3.0 or 4.2)
Frequency Range 频率范围	MHz	3.01MHz~100MHz
Frequency Tolerance 调整频差(at 25°C)	PPM	±20 or specify
Frequency Stability Over Operation Temperature 温度频差	°C	±20 or specify
Operation Temperature 运行温度	°C	-20~+70 or specify
Storage Temperature 保存温度	°C	-40~+85
Load Capacitance 负载电容	pF	5~32 or specify
Equivalent Series Resistance 谐振电阻	Ω	Please refer to ESR table below 请参考下图ESR表格
Drive Level 激励电平	μW	1~500 max (100 typ.)
Shunt Capacitance 静电容	pF	7 max
Aging 年老化率(at 25°C)	PPM/Year	±5

Frequency, Load capacitance (pF), Frequency tolerance (PPM), Operation Temperature (°C) can be selected and made in terms of your requirements. 频率、等效负载 (pF)、频率误差 (PPM)、耐高温的要求按照客户指定制作

Note:

1. Manufacturer reserves the right to change the specification and content of this product for improvement without notification.
2. Custom specification is welcome. Please contact our sales representative for further details.
3. If the crystal is intended for applications which have direct impact on human life and properties, and require a high degree of reliability and safety concerns, customers must provide full information such as but not limit to the application, electrical and reliability specification at the inquiry beginning stage.
4. There are unpredictable factors such as applied condition, oscillation margin and etc and customers must check them beforehand. In case of queries, please do not fail to send inquiry to our company before ordering.

Shanghai Jingying Electronic Co.,LTD. - MHz Quartz Crystal Resonator / HC-49SMD

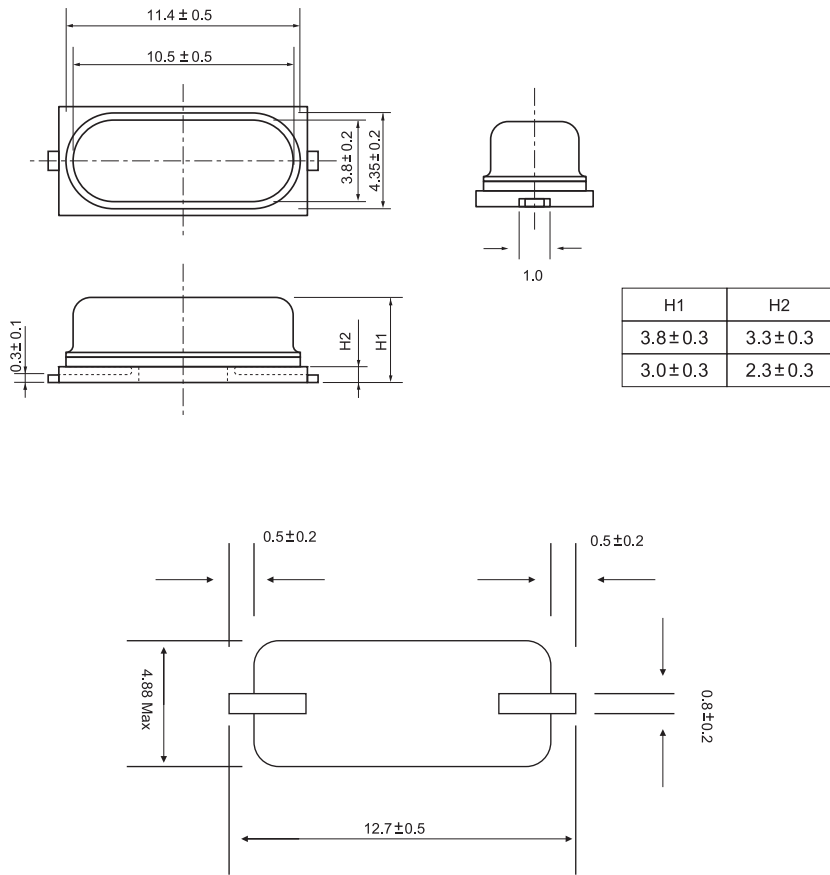
上海晶英电子有限公司 - MHz 石英晶体谐振器 / HC-49SMD

HC-49S Metal SMD Crystal

HC-49S SMD型石英晶体

Dimensions (mm)

外形尺寸



ESR table

ESR 表格

Fundamental	3.0MHz to 4.0MHz	150Ω to 80Ω
	4.0MHz to 6.0MHz	80Ω to 50Ω
	6.0MHz to 8.0MHz	50Ω to 40Ω
	8.0MHz to 12.0MHz	40Ω to 30Ω
	12.0MHz to 40.0MHz	30Ω to 20Ω
3rd Overtone	24.0MHz to 40.0MHz	70Ω to 50Ω
	40.0MHz to 80.0MHz	50Ω to 40Ω
5rd Overtone	50.0MHz to 100.0MHz	120Ω

